

In the Drawings:

Drawing corrections are attached hereto. The various reference numerals noted by the Examiner are corrected.

Also, the specification has been amended to set out the numbering format.

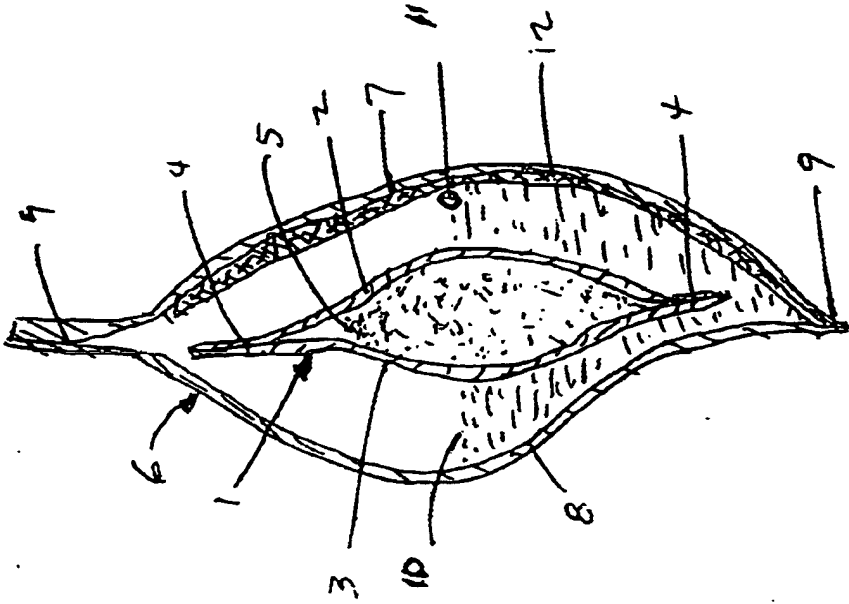


FIG. 2

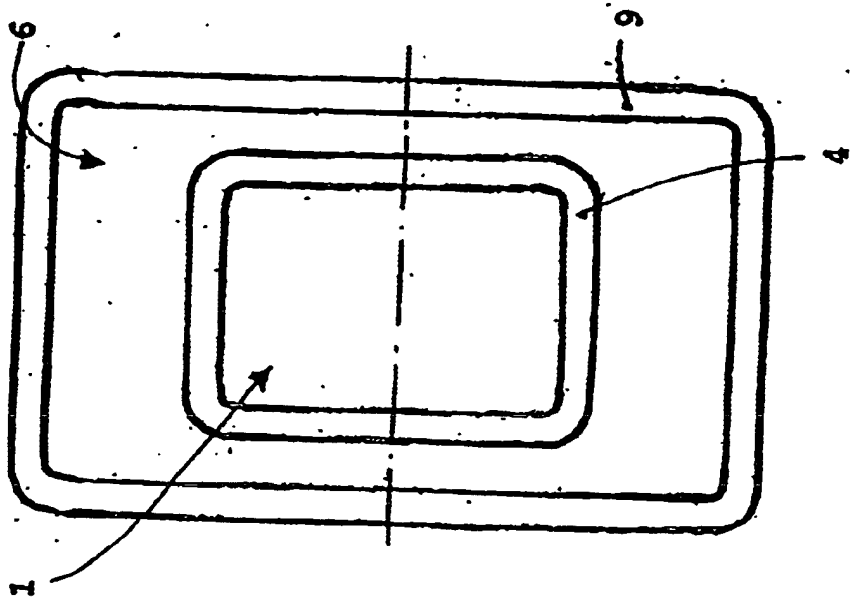


FIG. 1

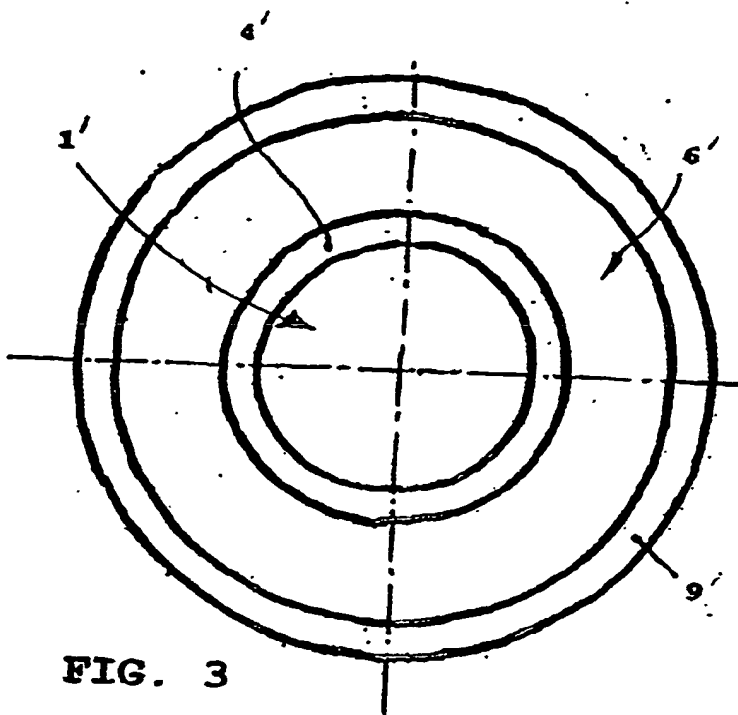


FIG. 3

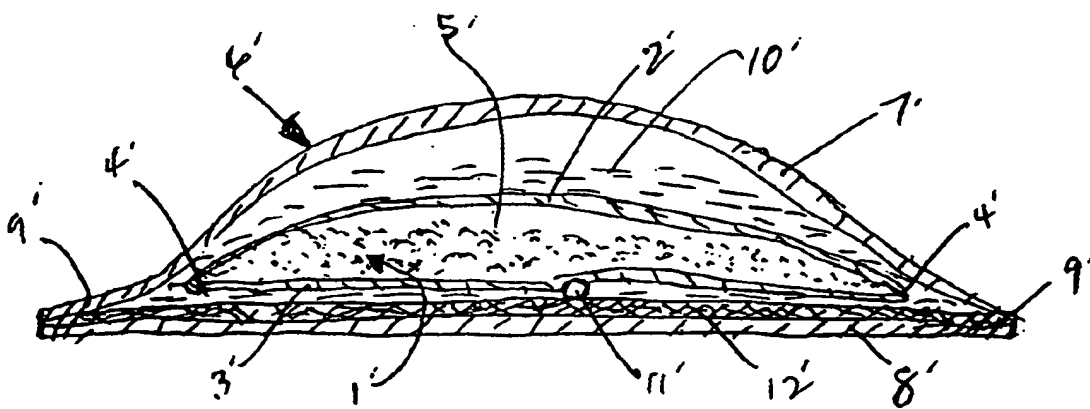


FIG. 4